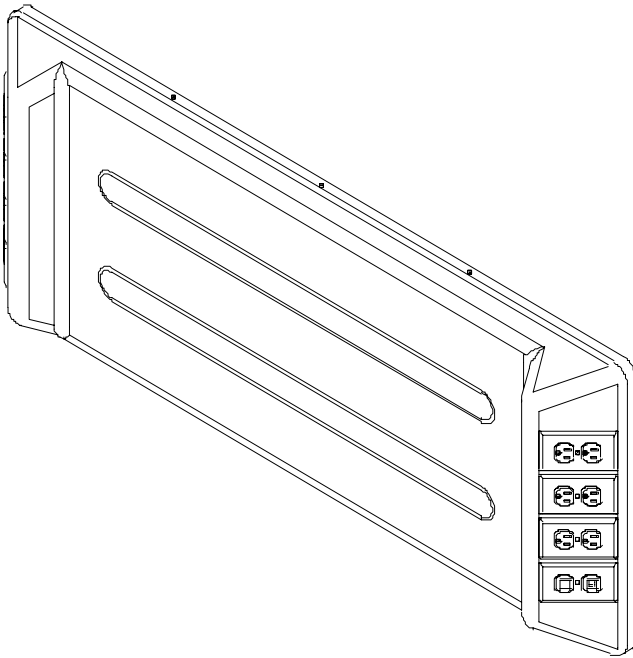


Bed Master Series Surface Mounted Bed Locator



Item number definition

BM-XXX

"XXX"= Width in inches

Standard unit size:

Height: 20"

Width: 50"

Depth: 4 3/4"

Bed Master

Medical Design's Bed Master, complete with angled device mounts for convenient bedside access to electrical and low voltage devices, allows you to dock the patient bed to the wall. Overall unit measurements: 20" Height x 50" Width x 4 3/4" Depth.

This product is cULus listed.

Frame & Finish

Heavy gauge zinc plated frame forming a single, rigid wall mounted structure. Decorative protective moulded fascia of Kydex T. Standard color is "Light Almond".

Electrical Receptacles

All Electrical receptacles are pre-wired to a single point connection junction box located in the center of the unit.

Electrical devices are cULus listed, Hospital Grade, 15A, 125V, NEMA 5-15/20R, 8200 series. Receptacles shall be red for emergency and ivory for normal power.

Electrical Receptacles

Communication devices shall be supplied and installed by others. Provisions for devices shall be coordinated with Medical Design.

Site Installation

All units shall be installed in accordance with Medical Design's installation instructions. The mechanical and electrical contractor shall provide the final connection to the Hospital System. The Contractor has the responsibility to insure that every unit is subject to a final site inspection in compliance with all National, State and Local Codes.

BED MASTER SERIES SURFACE MOUNTED BED LOCATOR

ELECTRICITY AND COMMUNICATION		
ID	QTY	DESCRIPTION
DR	-	DUPLEX RECEPTACLE, 20A, 125V, H.G., (RED) EMERGENCY POWER (HUBBELL #8300HR)
DW	-	DUPLEX RECEPTACLE, 20A, 125V, H.G., (WHITE) NORMAL POWER (HUBBELL #8300HW)
SR	-	SIMPLEX RECEPTACLE, 20A, 125V, H.G., (RED) EMERGENCY POWER (HUBBELL #8310R)
SW	-	SIMPLEX RECEPTACLE, 20A, 125V, H.G., (WHITE) NORMAL POWER (HUBBELL #8310W)
LS	-	LIGHT SWITCH, 1P, 15A, 125V, (WHITE)
TW	-	TWIST-LOCK RECEPTACLE, 20A, 125V, H.G.
GR	-	GROUNDING RECEPTACLE, HAMPDEN SLR-3S
D	-	DATA PROVISION, 1 GANG
T	-	TELEPHONE PROVISION, 1GANG
B	-	BLANK FACEPLATE, 1 GANG, STAINLESS STEEL

OTHER SERVICES AND ACCESSORIES ARE AVAILABLE. CONTACT US FOR MORE INFORMATION.

NOTES:

- COLOR: LIGHT ALMOND
- INCOMING SERVICES ARE FROM DRYWALL.